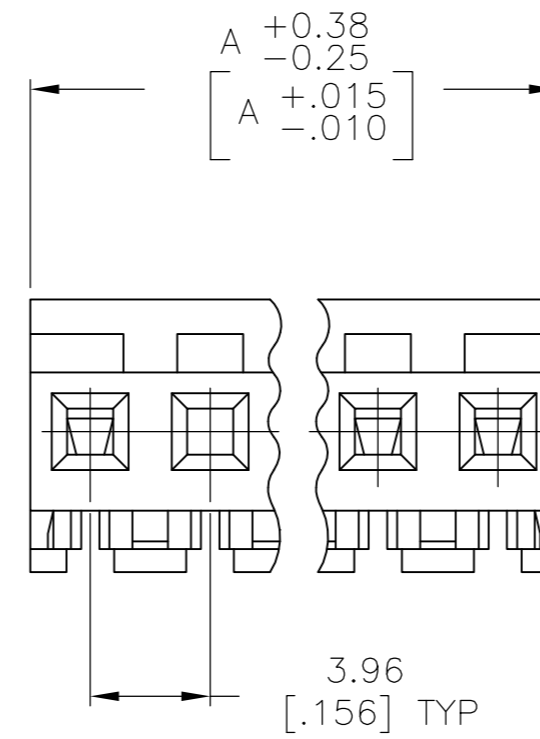
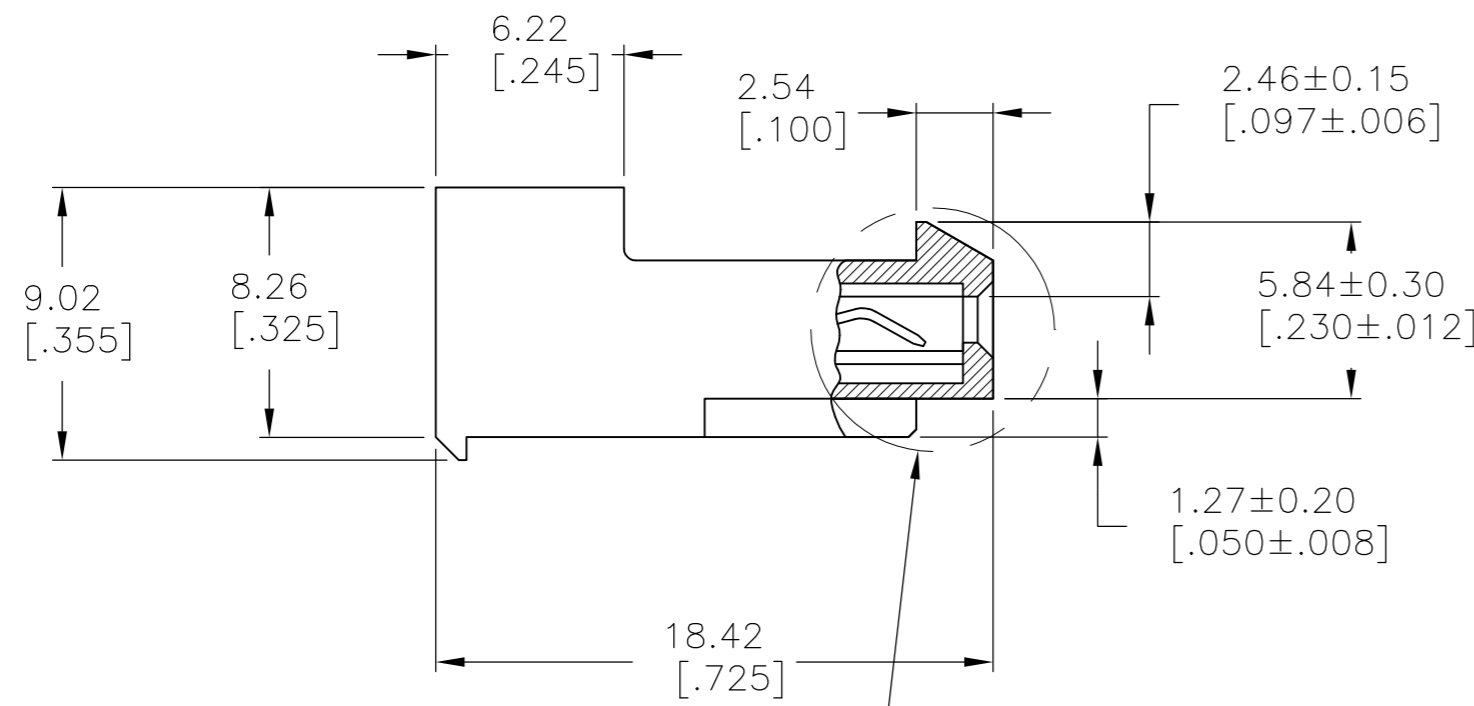
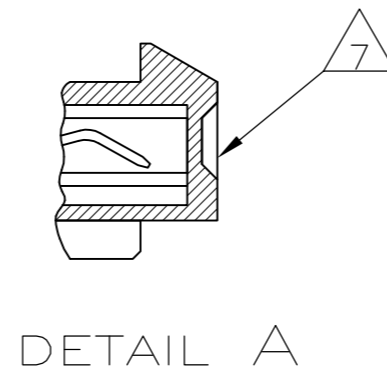
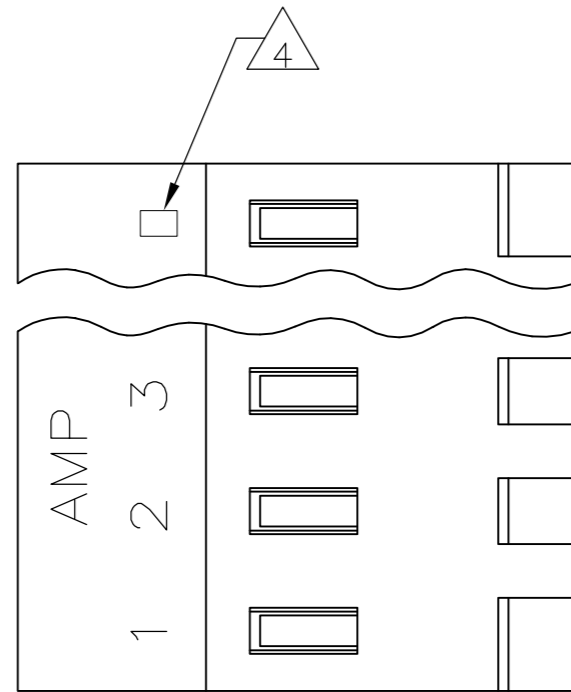


THIS DRAWING IS UNPUBLISHED. RELEASED FOR PUBLICATION  
 © COPYRIGHT BY TYCO ELECTRONICS CORPORATION. ALL RIGHTS RESERVED.

LOC	DIST	REVISIONS			
P	LTR	DESCRIPTION	DATE	DWN	APVD
CM	00	B	ECO-07-012896	26JUN07	KW DB



SEE DETAIL A FOR CLOSED CIRCUIT

- 1 MATERIAL: CONNECTOR - NYLON UL94V-2 (RED).  
 CONTACTS - 0.30[.012] THICK COPPER ALLOY BRIGHT TIN-LEAD  
 0.00203[.000080] MIN THICK FOR -2 THRU -28  
 - 0.30[.012] THICK COPPER ALLOY MATTE WHISKER  
 MITIGATED TIN 0.00203[.000080] MIN THICKNESS  
 OVER NICKEL UNDERPLATE FOR -32 THRU -58.

2. CONTACTS ACCEPT 22 AWG WIRE WITH 2.41[.095] MAX INSULATION DIAMETER.

3. CONTACTS MUST ACCEPT 1.14±0.03[.045±.001] SQUARE POST AND REMAIN LOCKED IN POSITION.

4 IDENTIFICATION NUMBER FOR LAST CIRCUIT MAY NOT APPEAR ON ALL ASSEMBLIES.

5. DIMENSIONS IN BRACKETS ARE IN INCHES.

6. HOUSING FEATURES ARE: CLOSED END WITH LOCKING RAMP.

7 DETAIL "A" SHOWS A CIRCUIT MOLDED CLOSED.

FINISH	DIM A	NO. OF CIRCUITS	PART NO.
TIN	19.81 [.780]	5	3-644666-5
TIN-LEAD	19.81 [.780]	5	644666-5

THIS DRAWING IS A CONTROLLED DOCUMENT.

DWN R. VESTAL 03NOV94	Tyco Electronics Corporation Harrisburg, PA 17105-3608				
CHK R. SWING 03NOV94					
APVD D. CLARK 03NOV94					
PRODUCT SPEC 108-1051					
APPLICATION SPEC 114-1020	NAME MTA 156 CONNECTOR ASSEMBLY, 22 AWG, NO.2 CIRCUIT CLOSED, SPECIAL				
MATERIAL 1	FINISH 1	SIZE A2	CAGE CODE 00779	DRAWING NO. C-644666	RESTRICTED TO -
CUSTOMER DRAWING			SCALE 4:1	SHEET 1 OF 1	REV B

